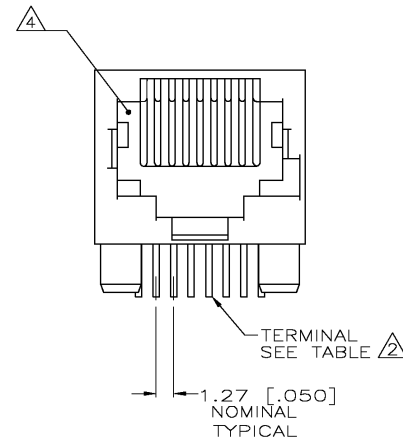
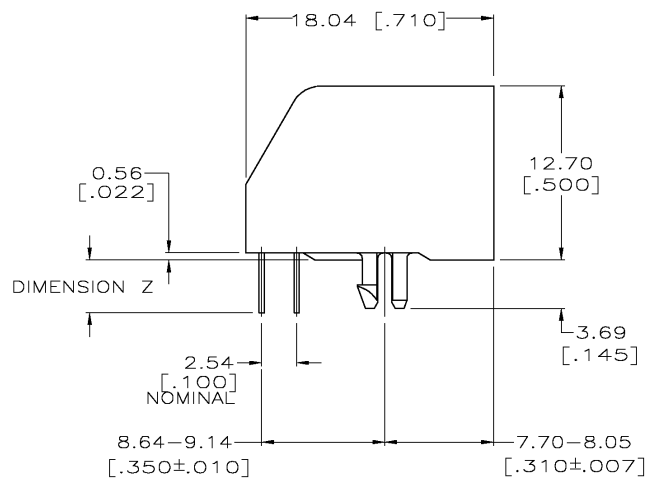
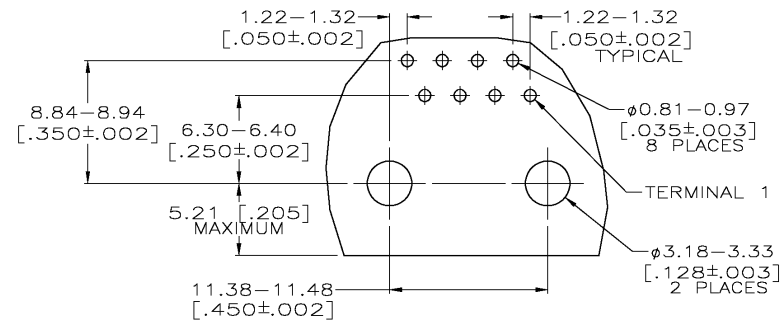
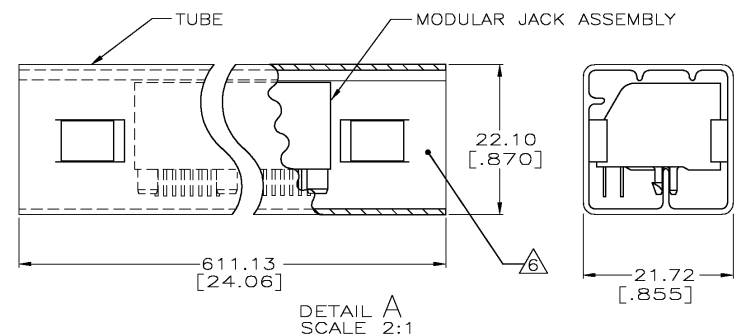
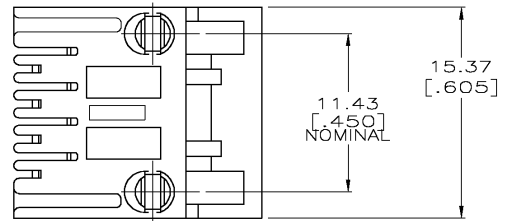


LOC	DIST	REVISIONS				DATE	APPO
GP	00	P	F	ZONE	LTR	DESCRIPTION	
				H		REVISED PER EC 0511-0016-04	27JAN04 JB BK



- ⚠ DIMENSIONS ARE MAXIMUM UNLESS OTHERWISE SPECIFIED.
- ⚠ TERMINALS FOR 555167-2 LOCATED IN CENTER POSITIONS.
- ⚠ MATERIAL: HOUSING - PBT POLYESTER, BLACK.
TERMINAL - PHOS-BRONZE PLATED WITH 1.27μm [.000050] THICK HARD GOLD IN LOCALIZED GOLD PLATE AREA AND 2.03μm [.000080] THICK TIN LEAD IN SOLDER AREA OVER 1.27μm [.000050] THICK NICKEL UNDERPLATE.
- ⚠ CAVITY CONFORMS TO FCC RULES AND REGULATIONS PART 68, SUBPART F.
- ⚠ BULK PACKAGED IN A TRAY.
- ⚠ PACKAGED 36 ASSEMBLIES PER TUBE WITH BOTH ENDS CRIMPED. SEE DETAIL A.



SUGGESTED PRINTED CIRCUIT BOARD MOUNTING HOLE LAYOUT
LAYOUT SHOWN FROM CIRCUIT SIDE OF BOARD

SUPERSEDED BY 555167-1

DO NOT SCALE PRINT. UNLESS SPECIFIED DIMENSIONS IN mm [INCHES] TOLERANCES ON : 2 PLC DEC ± - 3 PLC DEC ± - ANGLES ± -	⚠	8	2.80±0.25 [.110±.010]	555167-4	
	⚠	8	3.81±0.51 [.15±.02]	555167-3	
	⚠	6	3.81±0.51 [.15±.02]	555167-2	
	⚠	8	3.81±0.51 [.15±.02]	555167-1	
MATERIAL	⚠	PACKAGED	TERMINALS	DIMENSION Z	PART NUMBER
FINISH	⚠	AMP Incorporated Harrisburg, PA 17105-3608		NAME MODULAR JACK ASSEMBLY 8 POSITION, LOW PROFILE, RIGHT ANGLE, KEYED, WITHOUT PANEL STOPS	
		DR 11-16-93 B. SIMPSON	APPD 11-22-93 J. TONEY	SIZE	CAGE CODE
		CHK 11-17-93 C. WHITT	APPD 11-22-93 H. MCGRATH	108-1163	00779
		APPD 11-22-93 H. MCGRATH	PRODUCT SPEC	114-2048	DRAWING NO
			108-1163		©= 555167
				SCALE	SHEET
				4:1	10F 1

THIS DRAWING IS A CONTROLLED DOCUMENT FOR AMP INCORPORATED. IT IS SUBJECT TO CHANGE AND THE CONTROLLING ENGINEERING ORGANIZATION SHOULD BE CONTACTED FOR THE LATEST REVISION.